



**Model 560-1222-2
AC Power Entry Module
Manual**

SECTION ONE

- 1. FUNCTIONAL DESCRIPTION
 - 1.1. PURPOSE OF EQUIPMENT
 - 1.1.1. PHYSICAL SPECIFICATIONS
 - 1.1.2. ENVIRONMENTAL SPECIFICATIONS
 - 1.1.3. POWER SPECIFICATIONS
 - 1.1.4. FUSE
 - 1.1.5. CONNECTOR SPECIFICATIONS
 - 1.1.6. CARD LOCATION/COMPATIBILITY CONSTRAINTS

SECTION TWO

- 2. INSTALLATION AND OPERATION
 - 2.1. REMOVAL AND INSTALLATION
 - 2.2. OPERATION
 - 2.3. PREVENTIVE MAINTENANCE
 - 2.4. CORRECTIVE MAINTENANCE
 - 2.4.1. POWER ENTRY MODULE

SECTION THREE

- 3. THEORY OF OPERATION
 - 3.1. GENERAL INFORMATION
 - 3.2. HARDWARE DESCRIPTION

SECTION FOUR

- 4. DETAILED DRAWINGS
 - 4.1. 560-1222-2 DETAILED DRAWINGS / BILL OF MATERIALS

SECTION ONE

1. FUNCTIONAL DESCRIPTION

1.1 PURPOSE OF EQUIPMENT

The 560-1222-2 AC Power Entry Module provides an input interface for AC chassis power. The module includes an AC connector, fuse and line filter.

1.1.1 PHYSICAL SPECIFICATIONS

Dimensions: 0.8" w X 4.4" h X 5" d (2 cm X 11 cm X 13 cm)
Weight: Approximately 0.5 pounds (0.25 kg)

1.1.2 ENVIRONMENTAL SPECIFICATIONS

Operating Temp: 0° to +50°C
Storage Temp: -40° to +85°C
Humidity: Up to 95% relative, non-condensing
Cooling Mode: Convection
Altitude: Sea level to 10,000 ft

1.1.3 POWER SPECIFICATIONS

Voltage Setting: Automatic Dual-Range
Voltage/Current: 100-120 VAC / 2 A
Voltage/Current: 200-240 VAC / 1 A

1.1.4 FUSE

Type: 2 Amp 3AG Slow-Blow

1.1.5 CONNECTOR SPECIFICATIONS

Mating Connector: IEC320

1.1.6 CARD LOCATION/COMPATIBILITY CONSTRAINTS

Location: Slot 18/19 or 20/21
Compatibility: AC input power supply located in front slot.

SECTION TWO

2. INSTALLATION AND OPERATION

2.1 REMOVAL AND INSTALLATION

At initial installation, mount chassis to allow for vertical air-flow for convection cooling.

The Power Entry Module is intended to be permanently installed. However, if replacement becomes necessary, follow this procedure:

CAUTION: Dangerous voltages exist within the Power Entry Module. Remove input power prior to removal.

To remove card, disconnect power cord, loosen the captive retaining hardware at the top and bottom of the assembly, partially remove module, and unplug connector.

For proper operation, the Power Supply **MUST** be installed in a slot with a matching rear Power Entry Module.

Reverse procedure to re-install Power Entry Module.

2.2 OPERATION

Connect system power via rear Power Entry Modules (see Power Supply manual section for connector pinout). The chassis is intended to be continuously powered; there are no power switches. See individual manuals for operation of specific cards.

2.3 PREVENTIVE MAINTENANCE

There is no maintenance required on the Power Entry Module..

2.4 CORRECTIVE MAINTENANCE

2.4.1 POWER ENTRY MODULE

Power Entry Module trouble-shooting is covered in the specific Power Supply manual. However, should it be required, the Power Entry Module schematic is included in SECTION FOUR of this manual.

SECTION THREE

3. THEORY OF OPERATION

3.1 GENERAL INFORMATION

This section contains a description of the Power Entry Module implementation. Refer to the schematics in SECTION FOUR.

3.2 HARDWARE DESCRIPTION

Input power is delivered to each power supply, independently, via the Power Entry Module. The Power Entry Module incorporates an input connector, EMI filtering, and fuse appropriate to the associated Power Supply.

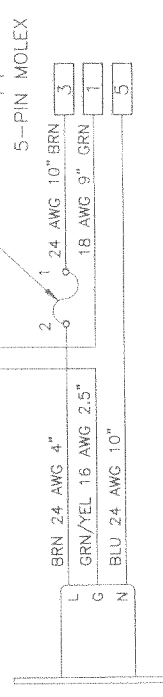
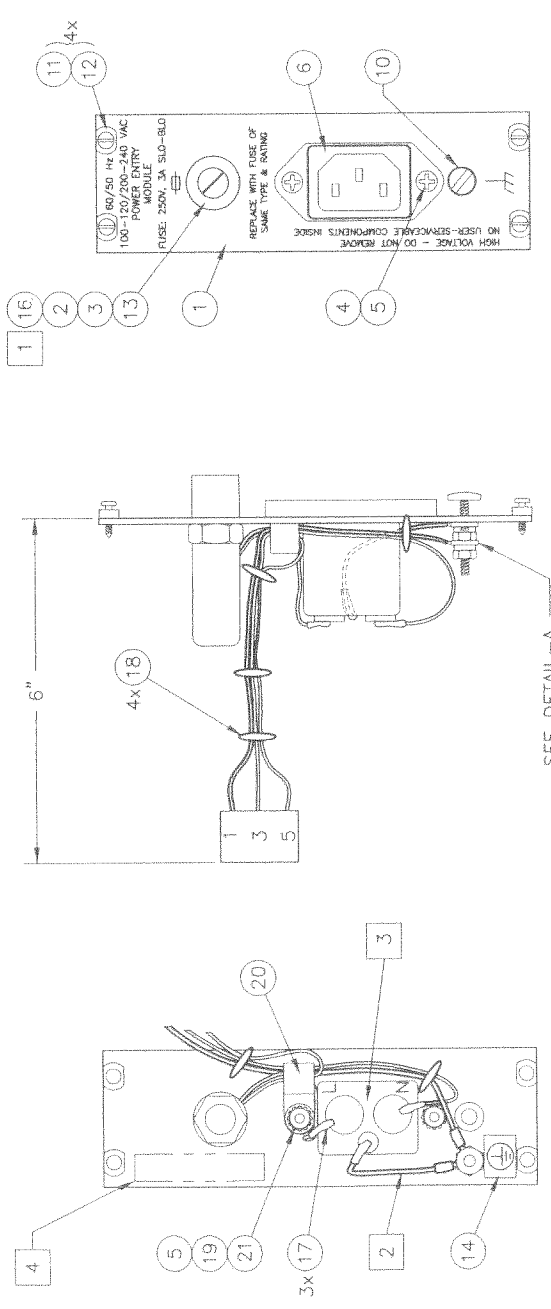
SECTION FOUR

4. DETAILED DRAWINGS

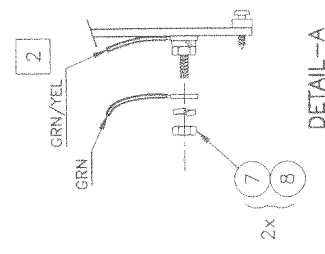
4.1 560-1222-2 DETAILED DRAWINGS / BILL OF MATERIALS

© TrueTime, Inc. 2000 All Rights Reserved.
 PROPRIETARY NOTICE
 THIS DOCUMENT, WHETHER PATENTABLE OR NON-PATENTABLE, SUBJECT MATTER, EMBODIES PROPRIETARY AND CONFIDENTIAL INFORMATION AND IS THE EXCLUSIVE PROPERTY OF TRUETIME, INC. IT MAY NOT BE REPRODUCED, USED OR DISCLOSED TO OTHERS FOR ANY PURPOSE EXCEPT THAT FOR WHICH IT IS LOANED, AND IT SHALL BE RETURNED UPON DEMAND.

REV	DESCRIPTION	DATE	APPROVED
A	UPDATE FOR CE COMPLIANCE	9/11/97	
B	CHANGED PEM; ADDED ITEMS: 16, 17, 18	11/06/97	
C	ADD ITEMS: 19, 20, 21; REROUTE WIRES	12/08/97	
D	CHANGED ITEM 8	02/16/98	
E	CAR 736-UPDATE DETAIL A	03/23/98	
F	ADD ITEM 15	04/09/98	
G	REMOVE ITEM 15; PANEL SCREENED	05/14/98	
H	ADD 4th TIE WRAP; ADD RTV	06/30/98	
J	ECO 1183	11/25/98	
K	PR 3256	06/03/99	D.A.A.
L	PR 3484	07/30/99	SBK
M	PR 4112	01-10-00	JG
N	ECO 1414	12/15/00	



WIRING DIAGRAM



DETAIL-B

- 4 STAMP ASSEMBLY NUMBER AND REVISION LEVEL, AS INDICATED.
- 3 APPLY A SMALL AMOUNT OF RTV TO COVER THE CONTACTS.
- 2 GRN/YEL WIRE FROM AC POWER SOCKET (ITEM 6) MUST BE INSTALLED NEAREST TO PANEL AND FASTENED SEPARATELY.
- 1 INSTALL SHRINK TUBING (ITEM 16) OVER FUSE HOLDER (ITEM 3) FROM FAR SIDE AFTER WIRING.

NOTES: UNLESS OTHERWISE SPECIFIED

CONTRACT NO.		APPROVALS	
DRAWN BY KOLLANDER		DATE 9/97	
CHECKED BY		APPROVED BY	
NEXT ASSY		REV	
FILENAME: \560\1222-2		SIZE CODE IDENT NO. DRAWING NO.	
DATE: 12-15-00		B 560-1222-2 N	
SCALE: NONE		SHEET 1 OF 1	

TrueTime
 Where Customer Satisfaction is our highest priority.
 2835 Duke Ct, Santa Rosa, CA 95407

ASSEMBLY PANEL
AC POWER ENTRY



Parent Item	Component Item	Parent Description	Component Description	Batch Quantity		Bubble		Remarks	Rev	Effective					
				Quantity Per	UM	Seq No	M			Level	TY	Seq	T	From	Thru
560-1222-2	0000-PL	ASSY AC PWR ENTRY MODULE	PARTS LIST REV LEVEL	1.00	EA			REV N (02-02-01)	REV	1	S	2.0	M	1/1/00	12/31/10
0000-PRINT		REFERENCE PRINT		1.00	EA			560-1222-2 REV N		1	S	3.0	M	1/1/00	12/31/10
223-379		SCREW CAP NP M2.5 X 11		4.00	EA	12				1	S	4.0	P	1/1/00	12/31/10
223-464		SLEEVE, STAINLESS		4.00	EA	11				1	S	5.0	P	1/1/00	12/31/10
230-005		CLAMP CABLE 1/4 IN.		1.00	EA	20				1	S	6.0	P	1/1/00	12/31/10
232-003		TIE WIRE 3.5INCH LG BLACK		4.00	EA	18				1	S	7.0	P	1/1/00	12/31/10
240-004-003		SCREW PH PN SS 4.40X3/8		1.00	EA	4				1	S	8.0	P	1/1/00	12/31/10
240-004-004		SCREW PH PN SS 4.40X1/2		1.00	EA	21				1	S	9.0	P	1/1/00	12/31/10
240-010-003		SCREW PH BH SS 10-32X3/8		1.00	EA	10				1	S	10.0	P	1/1/00	12/31/10
251-004		NUT KEP SS 4.40		2.00	EA	5				1	S	11.0	P	1/1/00	12/31/10
252-010		NUT HK #10-32		2.00	EA	7				1	S	12.0	P	1/1/00	12/31/10
253-004L		WSHR,FLT #4 SS .312 OD LP		1.00	EA	19				1	S	13.0	P	1/1/00	12/31/10
254-010		WSHR SPLIT SS 10		2.00	EA	8				1	S	14.0	P	1/1/00	12/31/10
273-023		TERM, RING #10 22-16 AWG		2.00	EA	9				1	S	15.0	P	1/1/00	12/31/10
285-01A		SEALANT SILICONE 2.8 OZ		.10	EA					1	S	16.0	P	1/1/00	12/31/10
315-016-189UL		WIRE 16 AWG GR/YLW UL1015		.50	FT			SEE WIRING		1	S	17.0	P	1/1/00	12/31/10
315-018-005UL		WIRE 18 AWG GREEN UL1015		1.00	FT			SEE WIRING		1	S	18.0	P	1/1/00	12/31/10
315-024-001UL		WIRE 24 AWG BROWN UL1015		1.50	FT			SEE WIRING		1	S	19.0	P	1/1/00	12/31/10
315-024-006UL		WIRE 24 AWG BLUE UL1015		1.00	FT			SEE WIRING		1	S	20.0	P	1/1/00	12/31/10

Parent Item	Component Item	Parent Description	Component Description	Batch Quantity	Quantity Per	UM	Bubble Seq No	Remarks	Effective					
									Level	Ty	Seq	T	From	Thru
326-004		SHRINK TUBING CLR 1/8 IN		.20	FT	EA	17		1	S	21.0	P	1/1/00	12/31/10
326-005		SHRINK TUBING CLR 1/2 IN		.20	FT	EA	16		1	S	22.0	P	1/1/00	12/31/10
342-001		SOCKET POWER & LINE FLTR		1.00	EA	EA	6		1	S	23.0	P	1/1/00	12/31/10
363-3-0SB		FUSE, 3A 3AG SLO BLO		1.00	EA	EA	2		1	S	24.0	P	1/1/00	12/31/10
365-005		FUSE HOLDER		1.00	EA	EA	3		1	S	25.0	P	1/1/00	12/31/10
365-007		FUSE CARRIER		1.00	EA	EA	13		1	S	26.0	P	1/1/00	12/31/10
400-021		LABEL, EPRM 1/2 X 1 IN		0.00	BX	BX			1	S	27.0	P	1/1/00	12/31/10
400-041	QTY 0	LABEL PER DRAWING NOTE 4	LABEL IS PART OF SHOP SUPPLIES						1	S	28.0	M	1/1/00	12/31/10
402-007T		LABEL, GND SYMBOL		1.00	EA	EA	14		1	S	28.0	M	1/1/00	12/31/10
403-005T		PIN 18-24 AWG		3.00	EA	EA		SEE WIRING	1	S	29.0	P	1/1/00	12/31/10
560-1222		CONN 5-P TERM		1.00	EA	EA		SEE WIRING	1	S	30.0	P	1/1/00	12/31/10
560-1222		PNL, AC POWER ENTRY		1.00	EA	EA	1		1	S	31.0	P	1/1/00	12/31/10
560-1222-2-OSV		ASSY AC PWR ENTRY MODULE - OSV		1.00	EA	EA			1	S	32.0	P	8/24/00	12/31/10